

Fact Sheet

VSI F T

BIZERBA

Intelligent slicing – the fully automatic vertical slicer VSI F T combines precision and slicing to target weight and a networked integration in the production process. The individual solution for more flexibility and efficiency.

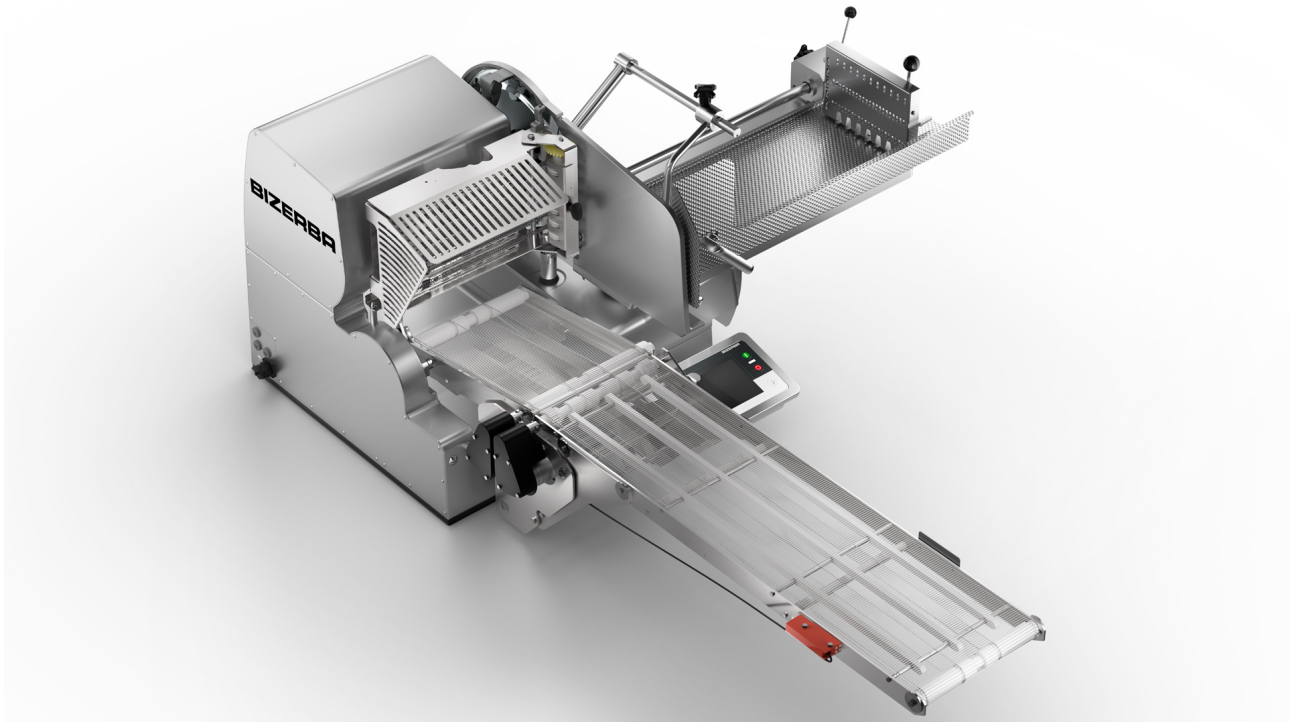


More information
High performance
with a wide range of
solutions and options.

Specifications	Facts	Details
Dimensions		
Outer dimensions L x W x H	1175 x 1089 x 582 mm	400 mm carriage
	1695 x 1272 x 582 mm	600 mm carriage, 910 mm discharge conveyor
Installation area L x W	609 x 631 mm	400 mm carriage and 600 mm carriage, 910 mm discharge conveyor
Work area L x W x H	1212 x 1182 x 625 mm	400 mm carriage
	1716 x 1367 x 625 mm	600 mm carriage, 910 mm discharge conveyor
Electrical data		
Power consumption	120 V; 5.5 A; 60 Hz	1-phase alternating current
	110-127 V; 5.5 A; 50/60 Hz	1-phase alternating current
	220-240 V; 2.9 A; 50/60 Hz	1-phase alternating current
	100 V; 6.6 A; 50/60 Hz	1-phase alternating current
IP rating	IPx5	Suitable for hose cleaning, individual components can be cleaned in the dishwasher
Performance data		
Product size		
H x L x W	180 x 400 x 240 mm	400 mm carriage
	180 x 600 x 240 mm	600 mm carriage
Round Ø	180 mm	400 mm carriage, 600 mm carriage
Blade diameter	330 mm	
Blade speed	160 - 300 rpm	Adjustable in increments of 10
Blade alignment	0° inclination	
Slice thickness	0.3-12 mm	Motorized adjustment
Slicing performance	30 - 80 slices per minute	Slicing performance depending on depositing type and product
Carriage angle	0°	
Housing materials	Stainless steel and anodized aluminum	Complies with EU regulation No. 1935/2004
	Plastics	Complies with EU regulation No. 10/2011
Weight		
Machine weight	approx. 137 kg	
Packaging data		
Dimensions L x W x H	680 x 1375 x 995 mm	
Packaging weight	approx. 176 kg	

Options	Facts	Details
Integrated portion scale	50-2000 g 1 g	Weighing range Interval
Conveyor	950 x 250 mm 325 x 250 mm	5-portions wire mesh belt 1-portion wire mesh belt

Info graphics

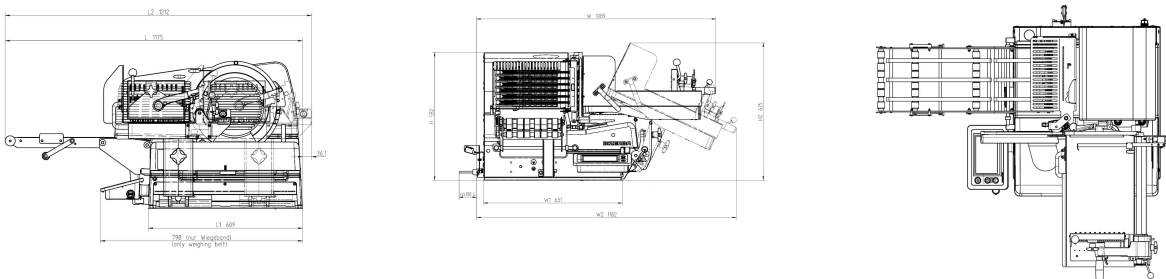


Symbols

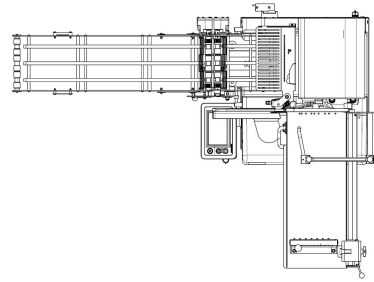
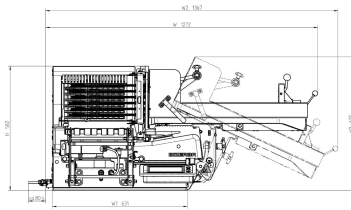
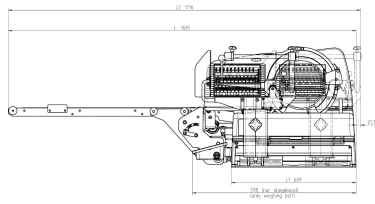


CE

Dimensional drawings



VSI F T 400 mm carriage



VSI F T 600 mm carriage

Bizerba SE & Co. KG
Wilhelm-Kraut-Straße 65
72336 Balingen

T +49 7433 12-0
fax: +49 7433 12-2696
marketing@bizerba.com

www.bizerba.com